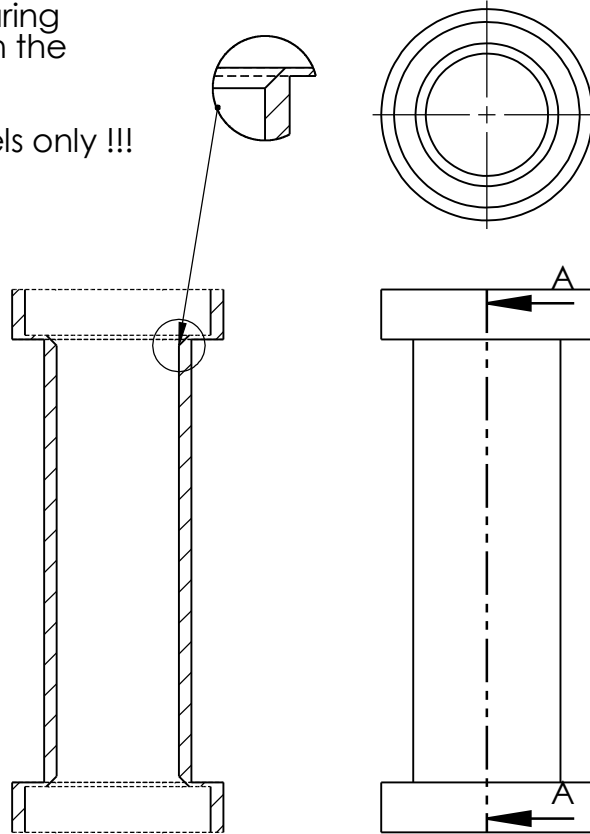
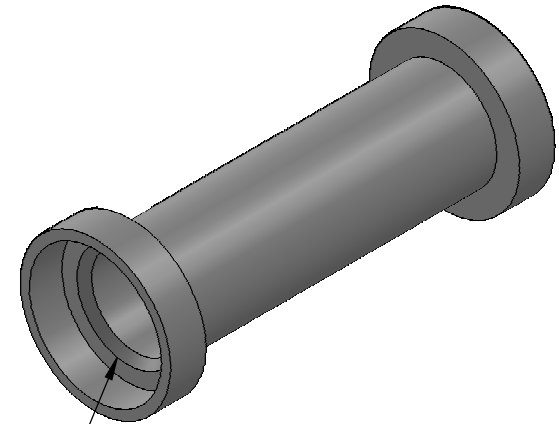


3mm 45 degree chamfer.  
Relieve edge with dremmel  
or similar tool so bearing  
race does not touch the  
frame.

Plunger and Rigid models only !!!



SECTION A-A



Chamfer edge as  
described in note

DO NOT SCALE DRAWING		REVISION:	
<b>SRM ENGINEERING LTD.</b>		02/06/2015	
UNIT 22 GLAN YR AFON INDUSTRIAL ESTATE ABERYSTWYTH CEREDIGION SY23 3JQ TEL: 01970 627771 FAX: 01970 627773			
TITLE:		Head Set	
NOTES:	FINISH:	MATERIAL:	MODELS:
Chamfer			A4
	WEIGHT:	SCALE: 1:2	SHEET 1 OF 1
			DRAWN BY: E.W.H